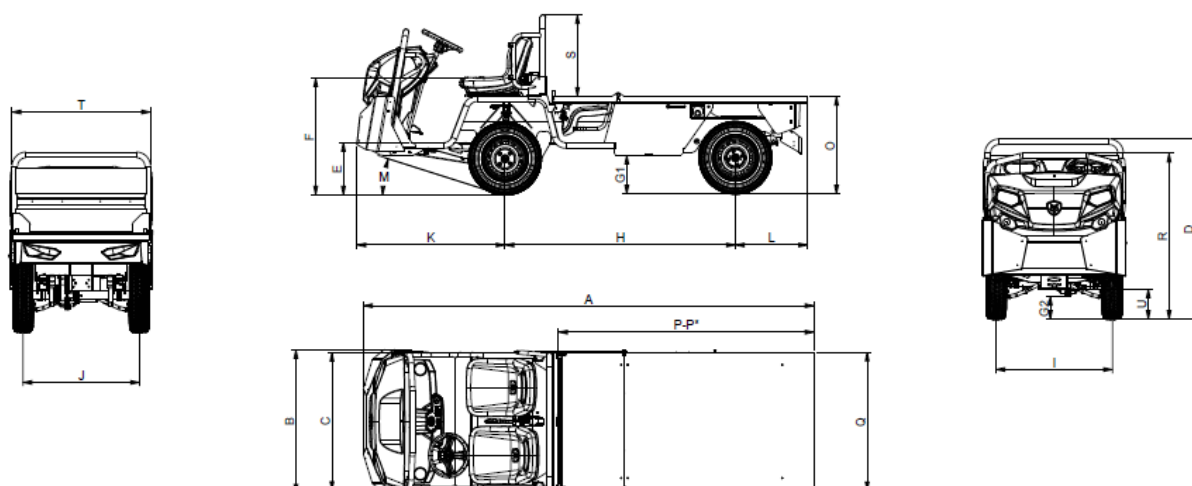


# TECHNICAL CHARACTERISTICS



## DIMENSIONS (in mm)

|                     |      |             |
|---------------------|------|-------------|
| Overall length      | A    | 3580        |
| Overall width       | B    | 1140        |
| Cab width           | C    | 1110        |
| Height              | D    | 1435        |
| Step height         | E    | 415         |
| Seat height         | F    | 930         |
| Ground clearance    | G1   | 310         |
| Transmission height | G2   | 180         |
| Wheel base          | H    | 1830        |
| Front track         | I    | 925         |
| Rear track          | J    | 925         |
| Front overhang      | K    | 1175        |
| Rear overhang       | L    | 575         |
| Clearance angle     | M    | 18°         |
| Loading height      | O    | 775         |
| Deck dimensions     | PxQ  | 2030 x 1100 |
| Deck dimensions *   | P*xQ | 970 x 1100  |
| Other dimensions    | R    | 1320        |
|                     | S    | 650         |
|                     | T    | 1100        |
|                     | U    | 240         |

## ELECTRICAL

|                      |               |
|----------------------|---------------|
| AC Motor             | 5,4 kW        |
| Instantaneous output | 12,2 kW       |
| Speed controller     | 48 V 350 A    |
| Charger              | HF 16 A/230 V |
| Charging time        | 8 h           |
| Max current          | 16 A          |

## PERFORMANCE

|  |                      |
|--|----------------------|
| Homologation                           | Directive 2006/42/CE |
| Maximum speed                          | 25 km/h              |
| GVW                                    | 2100 kg              |
| Maximum laden mass                     | 3500 kg              |
| Weight of the vehicle in running order | 920 kg               |
| Maximum slope empty                    | 15%                  |
| Maximum slope loaded                   | 5%                   |
| Number of passengers                   | 4                    |
| Turning radius wall to wall            | 3,65 m               |
| Turning radius pavement                | 3,20 m               |

## MECHANICAL

|                  |   |
|------------------|---|
| Front brakes     | Disc brakes Ø 228,5                                       |
| Rear brakes      | Electric brakes   |
| Front suspension | Double triangle with helicoïdal springs + shock absorbers |
| Rear suspension  | Fibreglass leaf springs thickness 20 mm + shock absorbers |
| Transmission     | Rigid axle with 17.05/1 reducer and differential          |
| Steering         | Rack and bell crank                                       |
| Tires            | 155/R13C(M+S)   |

## BATTERIES

|  | Open lead, 12V semi traction cells<br>8 cells of 6V | Open lead, 2V traction cells<br>24 cells of 2V | Open lead, 2V traction cells<br>24 cells of 2V |
|--|---|--|--|
| Capacity                                   | 180 Ah - 8,6 kW/h                                   | 180 Ah - 8,6 kW/h                              | 240 Ah - 11,5 kW/h                             |
| Range (under European test cycle ECE R101) | 70 km   | 76 km  | 90 km  |
| Rated load (bare chassis)                  | 1180 kg   | 1138 kg  | 1052 kg  |
| Rated load in running (driver)             | 1105 kg   | 1063 kg  | 977 kg   |

## GOUPIl INDUSTRIE

Route de Villeneuve - 47230 BOURRAN - FRANCE  
Tél. + 33 5 53 79 39 39 - Fax + 33 5 53 79 30 40  
sales@goupil-industrie.com

[www.goupil-industrie.eu](http://www.goupil-industrie.eu) - [www.polaris.com](http://www.polaris.com)

MANUFACTURING ELECTRIC UTILITY  
VEHICLES SINCE 1996

