

# COMBi-HC-PPT 3000-6000

HIGH CAPACITY  
POWERED PALLET TRUCK

Equipped with our patented multi-position tiller arm the Combi-HC-PPT offers safer operation, maximum operator visibility and narrow aisle performance.

# COMBiLiFT

LIFTING INNOVATION

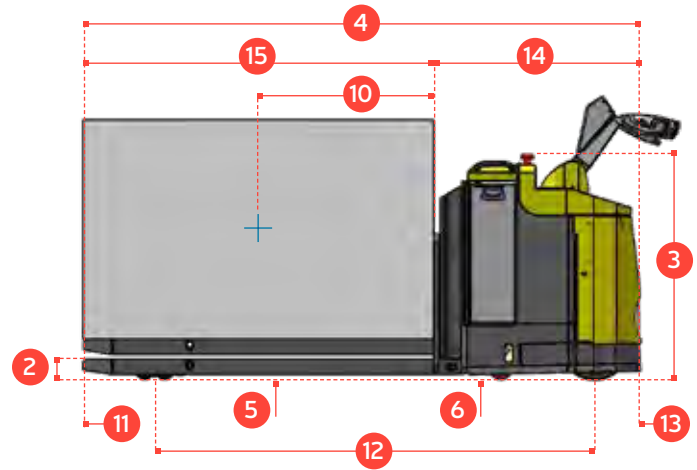
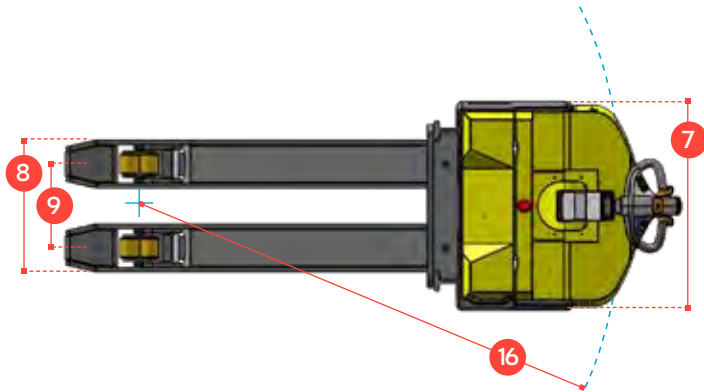


- Patented Multi-Position Tiller Arm
- Ride on platform (optional extra)
- 7,000-16,000kg available on request



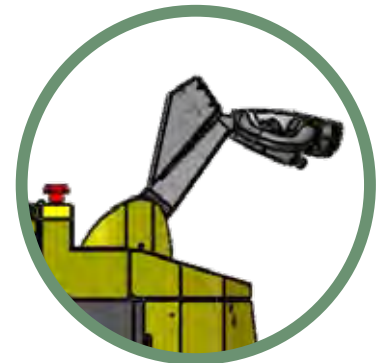
# COMBI-HC-PPT 3000-6000

## HIGH CAPACITY POWERED PALLET TRUCK



### Superior safety with Combilift's patented Multi-Position Tiller Arm

The tiller can be turned to the left or right to allow the operator to remain at the side. This enables full visibility of the load and forks, while maintaining full steering control, providing greater awareness of the surroundings for enhanced overall safety.



REF.	DESCRIPTION	STANDARD
1	Standard Lift Height	95 mm
2	Lowered Height	87 mm
3	Overall Height	1050 mm
4	Overall Length	2150 mm
5	Ground Clearance Under Fork	17 mm
6	Ground Clearance to Centre of Wheelbase	20 mm
7	Width	920 mm
8	Outside Spread of Fork Arms	580 mm (other sizes available)/1250
9	Track Front	370 mm
10	Load Centre Distance	600 mm
11	Overhang Front	330 mm
12	Wheelbase	1600 mm
13	Overhang Back	220 mm
14	Length From Face of Fork	950 mm
15	Fork Length	1200 mm (other sizes available)
16	Minimum Outside Radius	1800 mm
A	Capacity	3000 - 6000 kg
B	Maximum Ground Speed	6 km/h
C	Grade-ability	5%
D	Battery Capacity	24 V / 375 Ah
E	Fork Section	70 mm x 210 mm
F	Front Tyre (Polyurethane)	OD 85 mm / Width 95 mm
G	Rear Tyre (Vulkollan)	OD 313 mm / Width 125 mm
H	Standard Colour	Yellow & Grey
I	AC Electric Traction Motor	24 V / 4 kW

rev. 1.1

### Features Include:

- Power Steering
- AC Motor Technology
- Rear Wheel Drive
- Patented Multi-Position Tiller Arm

### Optional Extras:

- Fork Configurations for Reels
- Wider Forks
- Longer Forks
- Closed Fork Height
- Lift Stroke
- Slave Pallet System Available
- Ride on Platform

### Without Combi-PPT



### Using Combi-PPT



Standing to the side of the truck eliminates the risk of being trapped or crushed while allowing the Combi - PPT to operate in very narrow aisles.

COMBILIFT HAS A POLICY OF CONTINUOUS PRODUCT DEVELOPMENT AND RESERVES THE RIGHT TO ALTER SPECIFICATIONS WITHOUT PRIOR NOTICE. SPECIFICATIONS AND/OR DIMENSIONS MAY VARY FROM THOSE ILLUSTRATED IN SOME COUNTRIES.

# COMBi-PPT

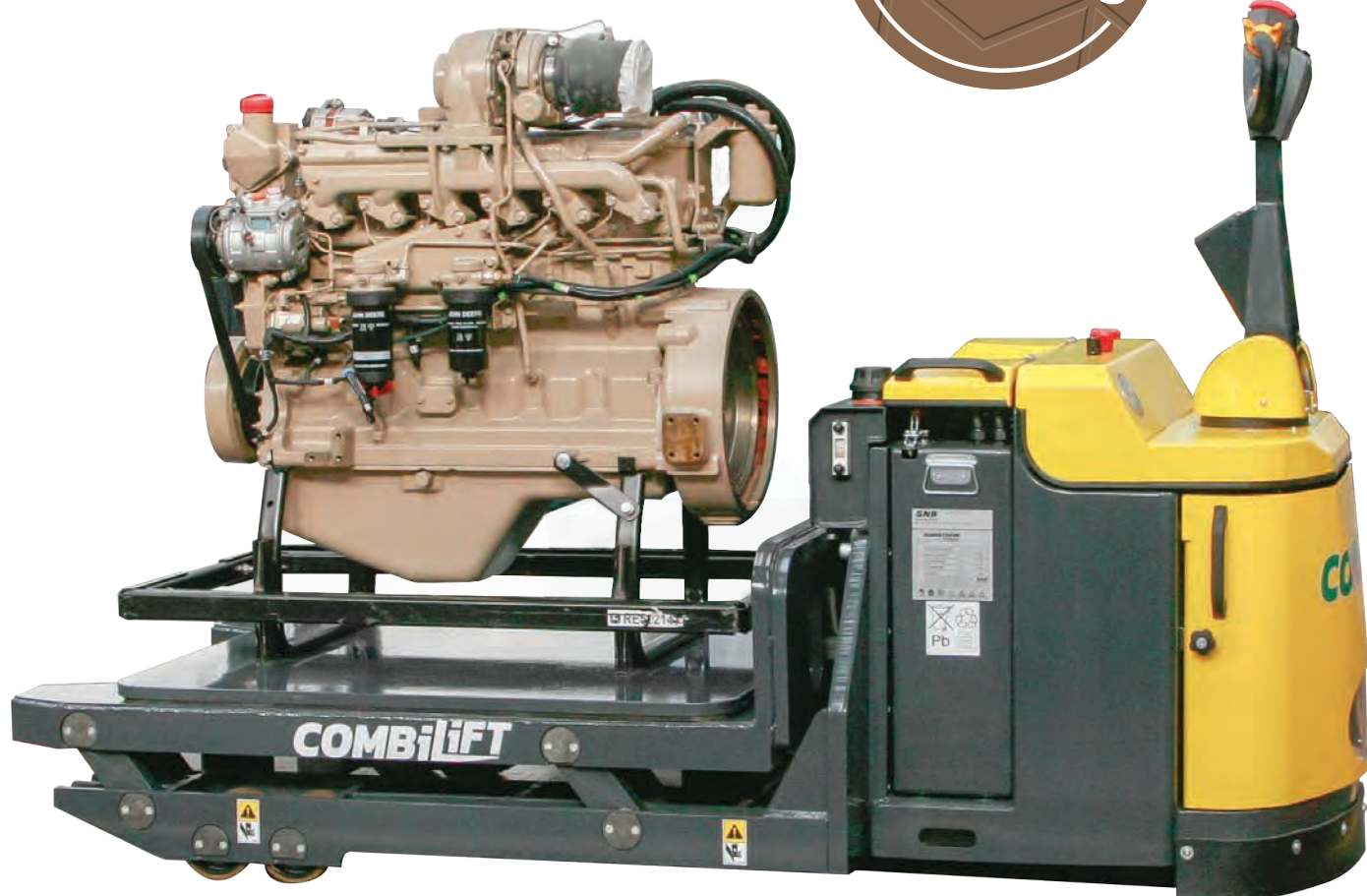
## 8,000 kg

HIGH CAPACITY  
POWERED PALLET TRUCK

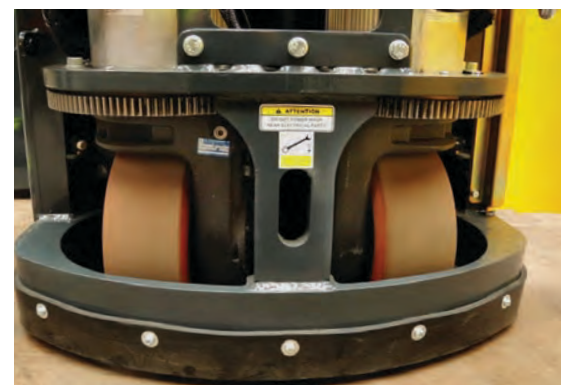
# COMBiLiFT

LIFTING INNOVATION

Equipped with our patented multi-position tiller arm the Combi-PPT offers safer operation, maximum operator visibility and narrow aisle performance.



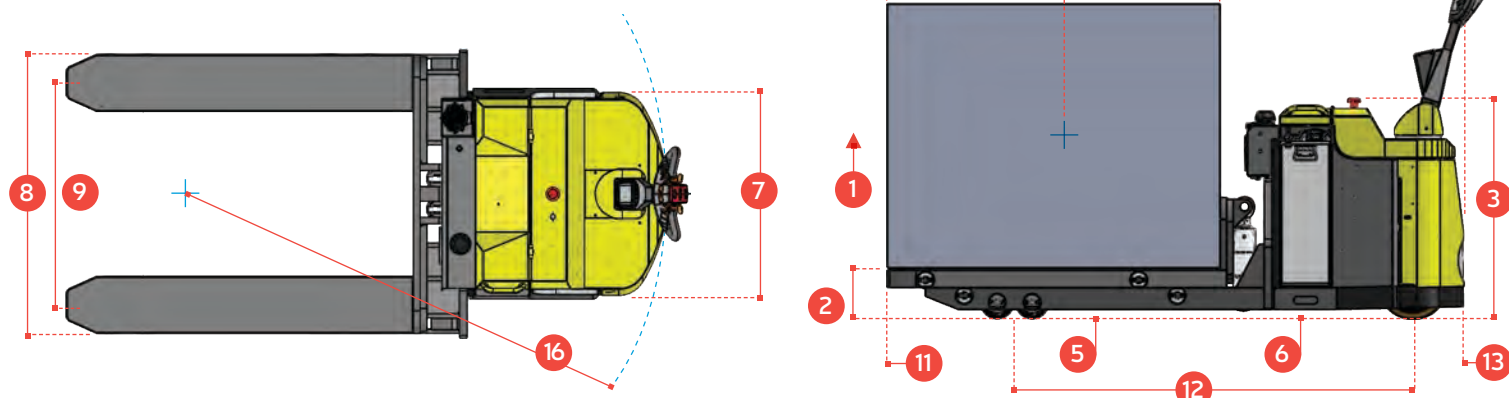
9,000 kg - 16,000 kg available on request



# COMBi-PPT

## 8,000 kg

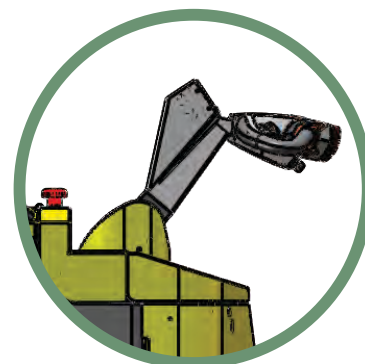
### HIGH CAPACITY POWERED PALLET TRUCK



REF.	DESCRIPTION	STANDARD
1	Max. Lift Height	110 mm
2	Lowered Height	175 mm (other sizes available)
3	Overall Height	1050 mm
4	Overall Length	2440 mm
5	Ground Clearance Under Fork/Platform	20 mm
6	Ground Clearance to Centre of Wheelbase	20 mm
7	Width	930 mm
8	Outside Spread of Fork/Platform	610 mm (other sizes available)
9	Track Front	448 mm
10	Load Centre Distance	600 mm
11	Overhang Front	555 mm
12	Wheelbase	1665 mm
13	Overhang Back	220 mm
14	Length From Face of Fork/Platform	1220 mm
15	Fork/Platform Length	1220 mm (other sizes available)
16	Minimum Outside Radius	1900 mm
A	Capacity	8000 kg
B	Maximum Ground Speed	6 km/h
C	Gradeability	5%
D	Battery Capacity	24 V / 375 Ah
F	Front Tyre (Polyurethane) x 8	OD 125 mm / Width 60 mm
G	Rear Tyre (Vulkollan) x 2	OD 313 mm / Width 125 mm
H	Standard Colour	Yellow & Grey
I	AC Electric Traction Motor x 2	24 V / 4 kW
J	AC Electric Pump Motor	24 V / 5 kW
K	Unladen Weight with Battery	2225 Kg

### Superior safety with Combilift's patented Multi-Position Tiller Arm

The tiller can be turned to the left or right to allow the operator to remain at the side. This enables full visibility of the load and forks, while maintaining full steering control, providing greater awareness of the surroundings for enhanced overall safety.

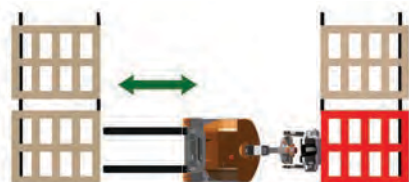


### Features Include:

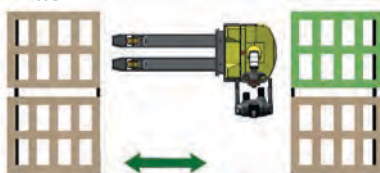
- Power Steering
- AC Motor Technology
- Dual Rear Wheel Drive
- Patented Multi-Position Tiller Arm
- Tiller Mounted Monitor

European Patent No.2892841; US Patent No. 9586797

### Without Patented Tiller Arm



### Using Combi-PPT with Patented Tiller Arm



Standing to the side of the truck eliminates the risk of being trapped or crushed while allowing the Combi - PPT to operate in very narrow aisles.

### Optional Extras:

- Alternative Fork/Platform Configurations
- Camera
- Auxiliary Hydraulics
- Ride-on Platform

COMBILIFT HAS A POLICY OF CONTINUOUS PRODUCT DEVELOPMENT AND RESERVES THE RIGHT TO ALTER SPECIFICATIONS WITHOUT PRIOR NOTICE. SPECIFICATIONS AND/OR DIMENSIONS MAY VARY FROM THOSE ILLUSTRATED IN SOME COUNTRIES.

CO. MONAGHAN +353 47 80500  
IRELAND INFO@COMBILIFT.COM

**combilift.com**