

# COMBi-ESL

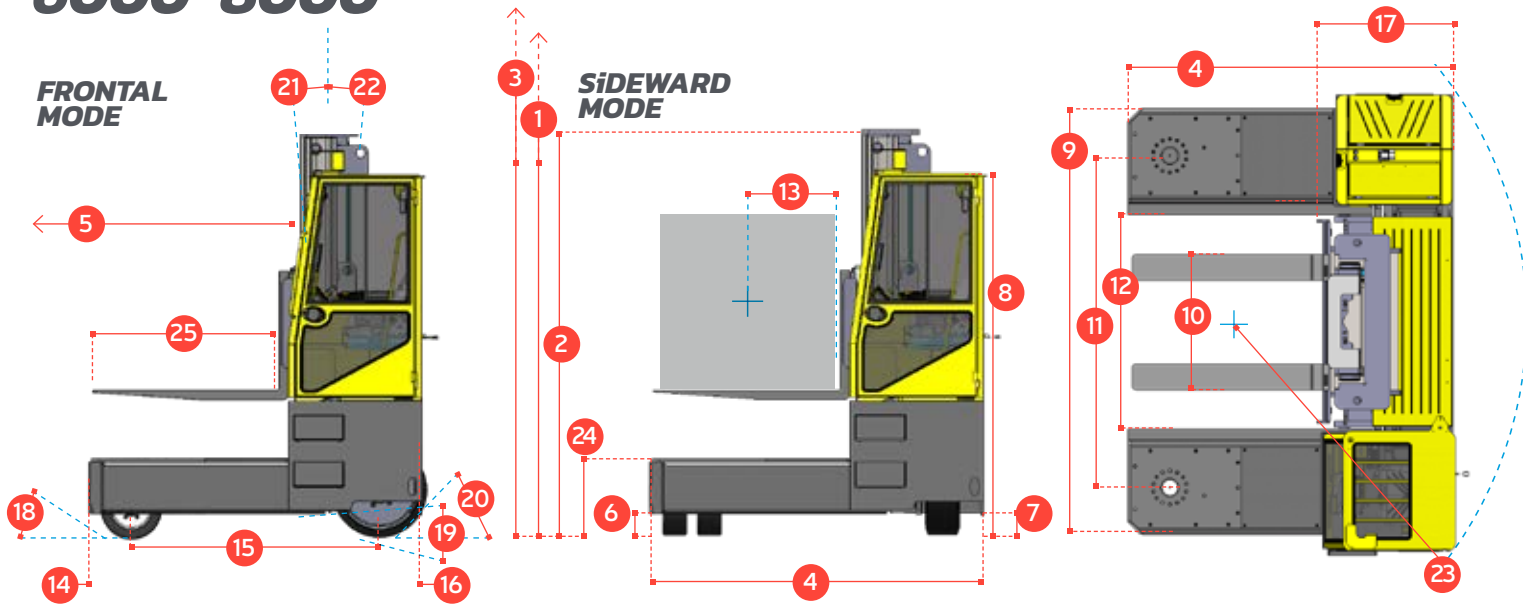
The electric sideloader forklift designed for the safe, space saving and productive handling of long and bulky loads.

# COMBiLiFT

LIFTING INNOVATION

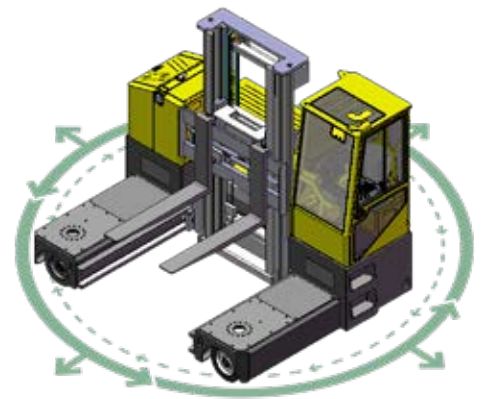


# COMBi-ESL 6000-8000



REF.	DESCRIPTION	C6000 ESL	C8000 ESL
1a	Standard Lift Height		4000mm
1b	Freelift Height		2000mm
2	Height Mast Closed		3000mm
3	Max. (Mast raised)		5000mm
4	Overall Length	2300mm	2500mm
5	Mast Travel	1350mm	1550mm
6	Ground Clearance Under Mast		170mm
7	Ground Clearance to Centre of Wheelbase		150mm
8	Height Over Cab (Without work lights)		2685mm
9	Width		3900mm
10	Outside Spread of Fork Arms		2000mm
11	Track Front		2960mm
12	Frame Opening		2050mm
13	Load Centre Distance	600mm	700mm
14	Overhang Front		320mm
15	Wheelbase	1645mm	1845mm
16	Overhang Back		335mm
17	Length From Face of Fork		1100mm
18	Approach Angle		45°
19	Ramp Angle		17°
20	Departure Angle		45°
21	Forward Tilt		3°
22	Backward Tilt		5°
23	Minimum Outside Radius		2870mm
24	Platform Height		590mm
25	Platform Length	1200mm	1400mm
A	Capacity	6000 kg	8000 kg
B	Unladen Weight	11,900 kg	12,200 kg
C	Maximum Ground Speed		10 km/h
D	Gradeability		10%
E	Battery Capacity		80 V / 930 Ah
F	Fork Section	50mm x 200mm x 1200mm	70mm x 200mm x 1400mm
G	Front Tyre (Solid Rubber) x 4		OD 457mm / Width 178mm
H	Rear Tyre (Solid Rubber) x 2		OD 711mm / Width 254mm
I	Standard Colour		Yellow & Grey
J	AC Electric Traction Motor x 2		80V / 6kW
K	AC Electric Pump Motor		80V / 39kW

## Multi-Directional



## Features Include:

- Rubber Mounted Cabin
- Multi-Direction Operation
- AC Motor Technology
- 4-way lever positioning of Wheels
- 2 Wheel Drive

## Distributed by: