

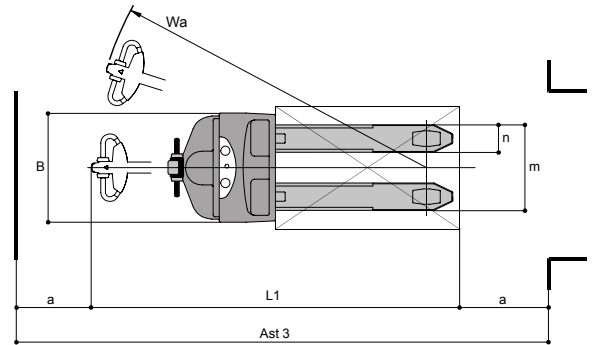
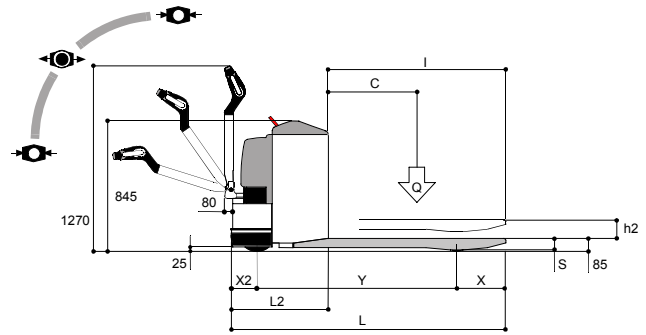


**CLARK EUROPE GMBH**  
 Neckarstrasse 37  
 D-45478 Mülheim an der Ruhr/Germany  
 Tel.: +49 208 377336-0  
 Fax: +49 208 377336-36  
 www.clarkmheu.com  
 info-europe@clarkmheu.com

1. Characteristics					
1.1	Manufacturer				CLARK
1.2	Model		denomination of model in production		C PTi 16
1.3	Capacity	Q	nominal capacity initial lift/mast	Kg	1.600/1.000
1.4	Load center	c	distance to load center	mm	600
1.5	Power		E =Elektric		E
1.6	Control		T = Tiller / A = Pedestrian		T / P
1.7	Service Brake		M (mechanic) I (hydraulic) E(electric)		E
1.8	Parking Brake		( . ) pedal ( .. ) parking ( ... ) tiller arm		( . ) ( .. )
2. Wheels					
2.1	Wheels type		plt = polyurethane g= rubber		plt / g
2.2	Wheels		quantity ( x =traction ) front/rear	Nr.	1x 2/4
			front wheels size	mm	250 / 100
			rear wheels size	mm	85
3. Dimensions					
3.1	Lifting	h2	standard free lift	mm	120
		h3	lifting height	mm	1.485
		h5	full free lift	mm	/
		h1	minimum height mast closed	mm	1.190
		h4	maximum height mast opened	mm	1.860
3.2	Forks holder plate	b1	width / FEM	mm	/
3.3	Forks	L/b/s	length (L) x width (b) x thickness (s)	mm	1.150x180x75
3.4	Tilting		forward/backward	°	/
3.5	Max. dimensions	L2	length overall including forks face	mm	703
		B	width	mm	706
3.6	Wheel base	Y	wheel base	mm	1.540
3.7	Wheel base		at wheels center front/rear	mm	465/380
3.8	Clearance		chassis	mm	56
			cuttriggers	mm	26
3.9	Turning radius	Wa	radius	mm	1.833
3.10	Stacking aisle	Ast3	with pallet (800x1.200 / 1.000x1.200)	mm	2.363
4. Performances					
4.1	Speeds		traction with/without load	km/h	5.8 / 6
			lifting with/without load	m/sec	0.08 / 0.06
			lowering with/without load	m/sec	0.29 / 0.14
4.2	Gradeability		nominal 30' with/without load	%	/
4.3	Max. gradeability		for 5' with/without load	%	10 / 18
4.4	acceleration time		from 0 to 10 m with/without load	sec	/
5. Weight					
5.1	Total weight		battery included	Kg.	830
5.2	Axle loading		with load front/rear	Kg.	/
			without load front/rear	Kg.	/
6. Battery - Motors					
6.1	Battery		volatge	V	24
			capacity	Ah	200
			min. weight	Kg.	180
6.2	Electrical		traction ( S2 - 60' )	KW	1.2
			lifting ( S3 - 20% )	KW	2
6.3	Hydraulic pressure		max. pressure	bar	140
6.4	Noise level		operators place	dB	< 70

CLARK EUROPE GMBH has the right to change datas and informations without prior announcement. Informations and datas anre not binding.

POS.		C PTi 16 1.150x560
Q initial lift	kg	1.600
Q mast	kg	1.000
c	mm	600
l	mm	1.150
L	mm	1.850
x	mm	170
x2	mm	145
Y	mm	1.540
L2	mm	703
L1	mm	2.163
m	mm	560
n	mm	180
s	mm	75
h2	mm	120
h3	mm	1.485
h1	mm	1.190
h4	mm	1.860
a/2	mm	100
Wa	mm	1.833
Ast3	mm	2.363



**CLARK**  
THE FORKLIFT

**C PTi 16  
Pedestrian-Power-Pallet  
-Truck with mast**